

# TURNBUCKLES

## Gracilis Body with Swage Stud and Toggle

### Benefits

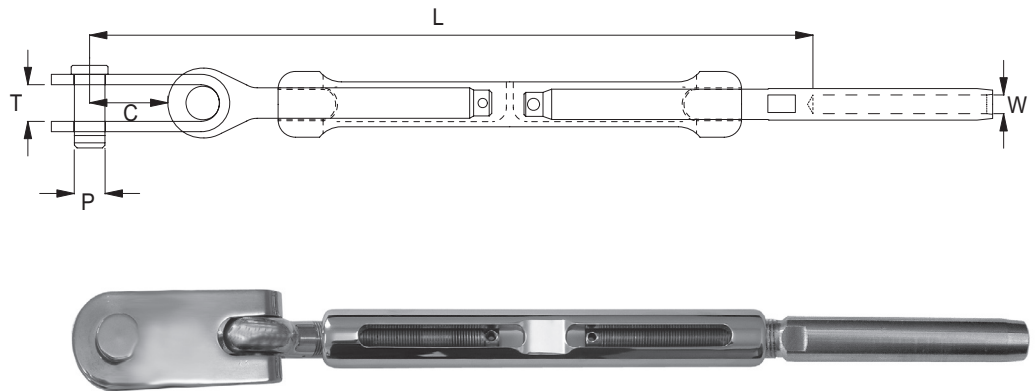
Generously proportioned toggle straps are designed to take the full wire breaking load on each side of the eye and pin, avoiding premature failure due to transient unbalanced loads.

Incorporating the new Gracilis body - a unique design offering strength and integrity.

Traditionally, turnbuckle bodies are manufactured by forging a soft bronze to produce the desired shape.

Our unique design lets us machine the bodies from high grade materials.

Using this process has allowed us to reduce the weight by 20% without reducing the strength.



Turnbuckle with swage stud and fork

Product Code	Wire	Thread	P	C	T	Min L	Max L
GTST03	3mm	1/4" unf	6.0mm	14.0mm	8.0mm	148.5mm	220.5mm
GTST04DS	4mm	1/4" unf	6.0mm	14.0mm	8.0mm	149.5mm	221.5mm
GTST04	4mm	5/16" unf	8.0mm	18.0mm	9.0mm	177.5mm	257.5mm
GTST04US	4mm	3/8" unf	9.5mm	21.0mm	11.0mm	214.5mm	318.5mm
GTST05DS	5mm	5/16" unf	8.0mm	18.0mm	9.0mm	180.5mm	260.5mm
GTST05	5mm	3/8" unf	9.5mm	21.0mm	11.0mm	214.5mm	318.5mm
GTST05US	5mm	7/16" unf	11.0mm	25.0mm	13.0mm	235.5mm	347.5mm
GTST06DS	6mm	3/8" unf	9.5mm	21.0mm	11.0mm	217.5mm	321.5mm
GTST06	6mm	7/16" unf	11.0mm	25.0mm	13.0mm	237.5mm	349.5mm
GTST06US	6mm	1/2" unf	12.0mm	27.0mm	15.0mm	286.0mm	426.0mm
GTST07	7mm	1/2" unf	12.0mm	27.0mm	15.0mm	286.0mm	426.0mm
GTST08DS	8mm	1/2" unf	12.0mm	27.0mm	15.0mm	289.0mm	429.0mm
GTST08US	8mm	5/8" unf	16.0mm	36.0mm	19.0mm	339.5mm	489.5mm
GTST10	10mm	5/8" unf	16.0mm	36.0mm	19.0mm	341.5mm	491.5mm
GTST10US	10mm	3/4" unf	19.0mm	45.0mm	22.0mm	391.5mm	571.5mm
GTST12	12mm	3/4" unf	19.0mm	45.0mm	22.0mm	393.0mm	573.0mm
GTST14	14mm	7/8" unf	22.0mm	53.0mm	25.0mm	457.5mm	667.5mm
GTST16	16mm	1" unf	25.4mm	62.0mm	28.0mm	529.0mm	769.0mm
GTST19	19mm	1 1/8" unf	28.0mm	63.0mm	32.0mm	588.0mm	858.0mm
GTST22	22mm	1 1/4" unf	32.0mm	76.0mm	35.0mm	662.5mm	962.5mm
GTST26	26mm	1 3/8" unf	35.0mm	92.0mm	38.0mm	727.0mm	1047.0mm

Also available in Closed Body Style