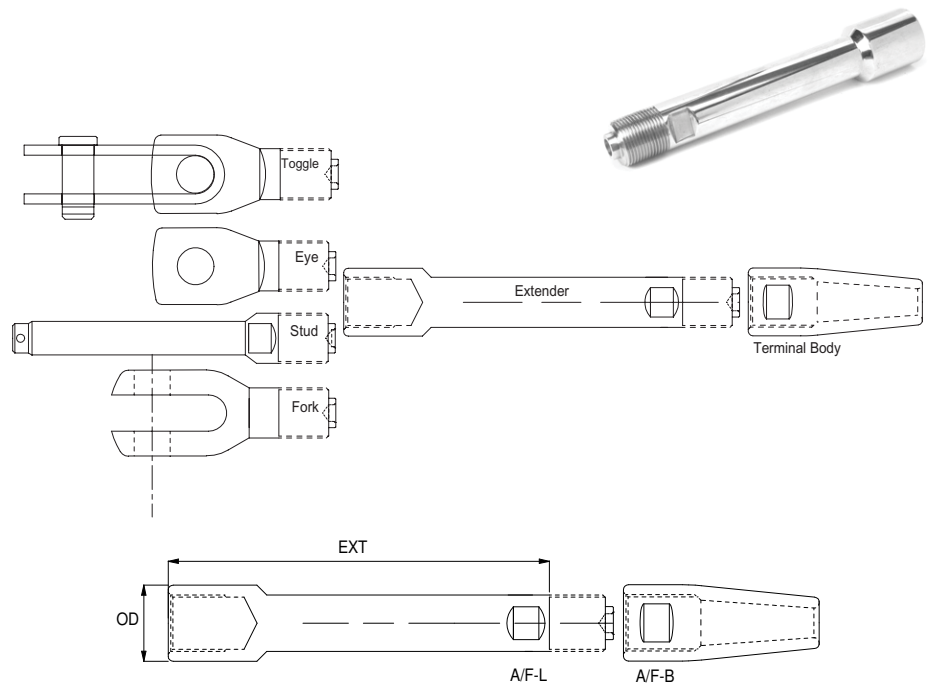


SWAGELESS COMPRESSION TERMINAL Extenders

Benefits

The Hi-MOD Compression Terminal Extender is a "one-fits-all" component which will allow a damaged swage terminal to be replaced quickly and easily. The extender makes up approximately 15 wire diameters in length and can even be extended further by joining extenders together. The extender is a temporary fix and damaged wires should be replaced as soon as possible.

The latest development for compression fittings results in a termination at least as strong as the rated breaking load of the wire rope. The unique star shaped Crown Ring positions and holds the wire strands in place, eliminating the requirement for awkward wire end bending. The shallow angled cone establishes direct mechanical grip on the core and all outer strands. Stainless Steel grade EN10088 1.4404 (316) is used on all parts with the exception of the crown ring which is manufactured from Aluminium Bronze. No sealant or packing is required.



Compression Terminal Extender						
Product Code	Wire	EXT	A/F-L	A/F-B	OD	Weight
CTX03	3mm	45mm	6mm	9.5mm	11mm	24g
CTX04	4mm	60mm	8mm	11mm	13mm	39g
CTX05	5mm	75mm	9mm	14mm	16mm	100g
CTX06	6mm	90mm	11mm	17mm	19mm	131g
CTX07	7mm	105mm	13mm	20mm	22mm	207g
CTX08	8mm	120mm	16mm	22mm	26mm	311g
CTX10	10mm	150mm	17mm	26mm	30mm	536g
CTX12	12mm	180mm	22mm	32mm	39mm	1023g
CTX14	14mm	210mm	24mm	36mm	44mm	1637g
CTX16	16mm	240mm	28mm	40mm	48mm	2136g
CTX19	19mm	285mm	32mm	44mm	51mm	2807g
CTX22	22mm	330mm	34mm	52mm	57mm	4098g
CTX26	26mm	390mm	44mm	64mm	77mm	8591g

Wire Construction

The part codes in the table are for 1 x 19 wire rope construction. Different Cones and Crown Rings are used for 7 strand, compact strand and Dyform®. Add suffix -7 for 7 Strand wires. Please refer to your re-seller for the relevant coding for Compact Strand or Dyform®.